

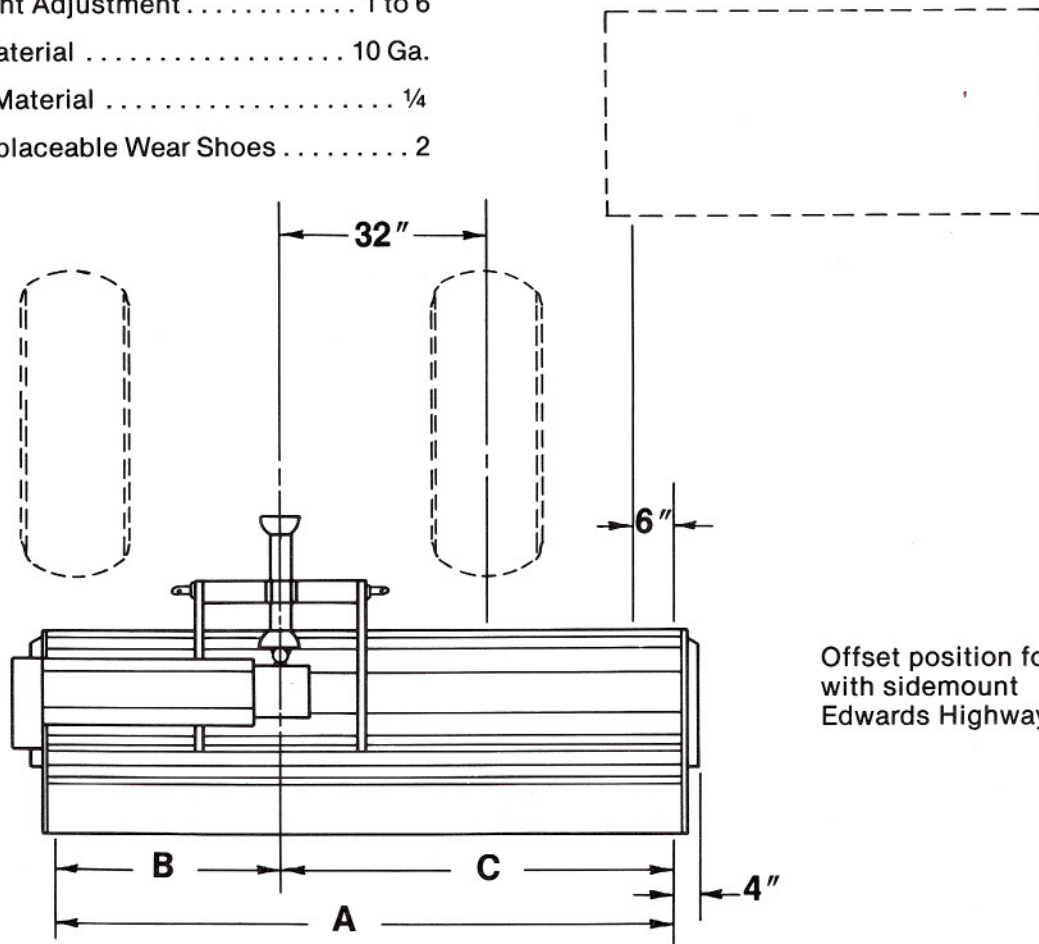
EDWARDS FLAIL MOWER

Series FM7400 SPECIFICATIONS

Model No.	A	B	C	No. Blades	Shipping Weight
FM 7460	61	30*	31	64	982
FM 7472	73	36*	37	72	1040
FM 7484	85	24	61	88	1101
FM 7496	98	37	61	96	1166

* Centered only — not available offset.

Rotor Shaft Diameter 4½
 Rotor Speed @ 540 PTO 2000
 Type of Cut Coarse
 Roller Diameter 6
 Roller Height Adjustment 1 to 6
 Housing Material 10 Ga.
 Side Plate Material ¼
 Bolt-On Replaceable Wear Shoes 2



Offset position for use
with sidemount
Edwards Highway Mower.