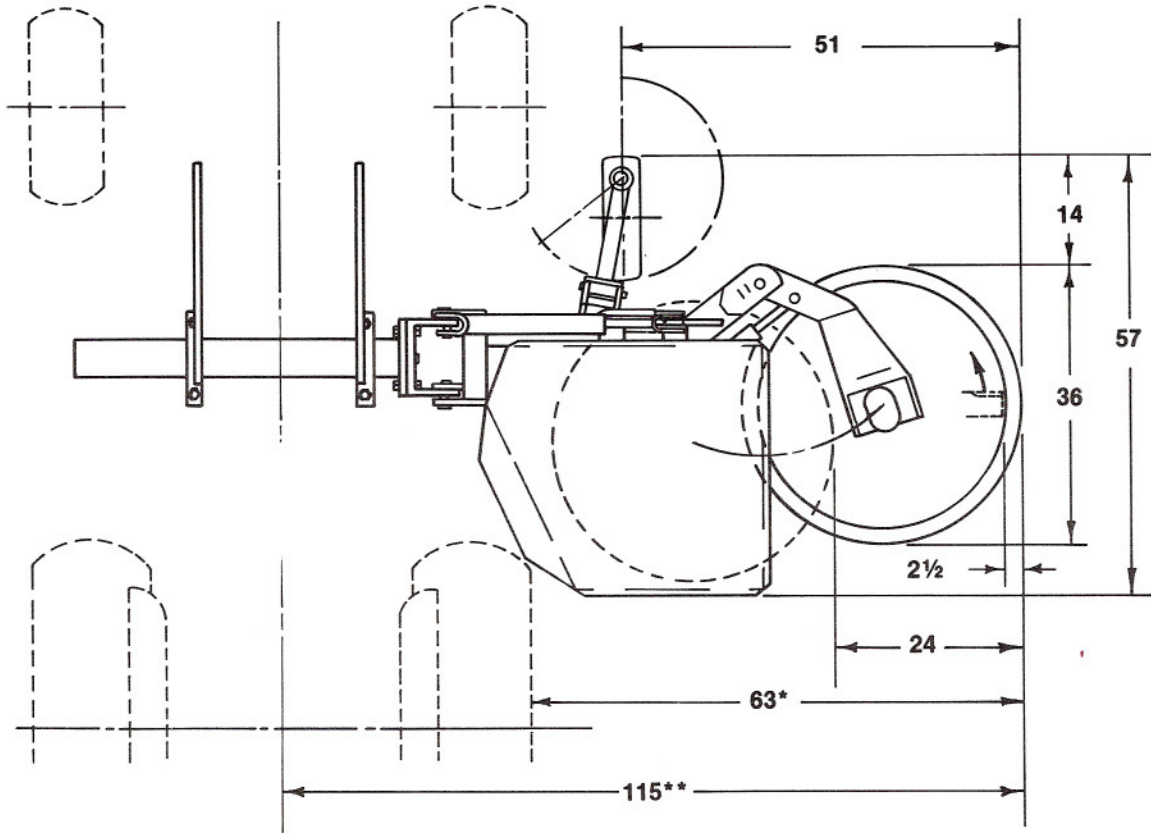
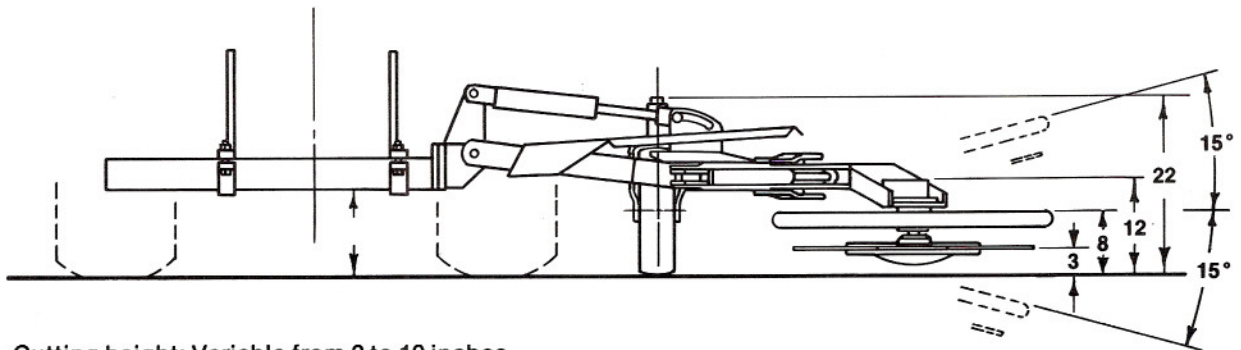


General description: A mid-mounted, retractable, hydraulic drive rotary mower.



* Minimum beyond tire.

**Maximum offset beyond tractor centerline.



Cutting height: Variable from 2 to 10 inches.

Cutting angle: 15° down to 15° up.

Hydraulics required: 8 GPM.

Shipping weight: 582 pounds.

Blade diameter: 31 inches.

Blade speed: 1800 RPM.