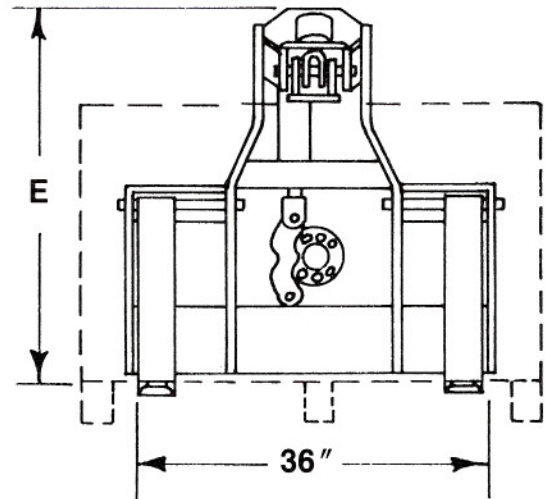
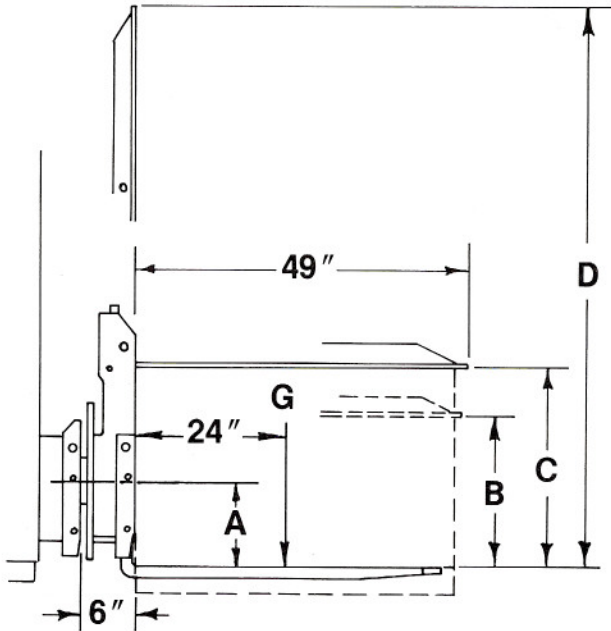


EDWARDS BIN-DUMPER

Series TF7400 SPECIFICATIONS

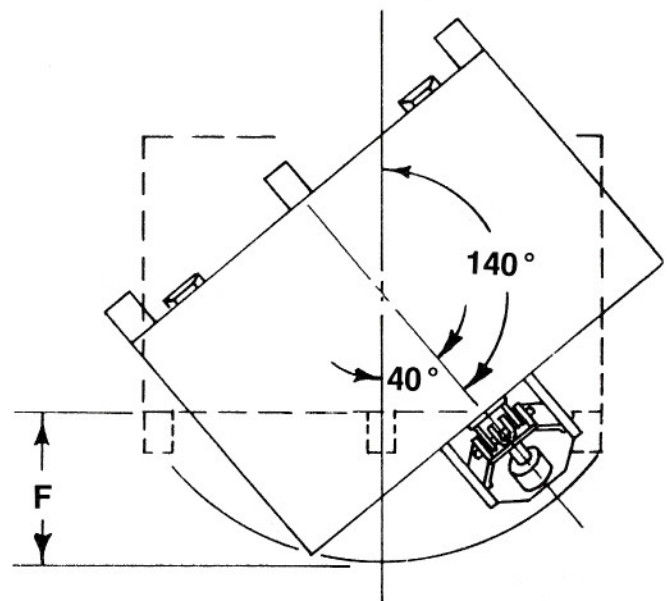


Edwards Carriage 16" ITA Carriage	TF7401 TF7402	TF7411 TF7412
A — Axis to Fork	12"	16"
B — Minimum Clamp Opening	23"	23"
C — Maximum Clamp Opening	30"	35"
D — Height, Clamp Open	83"	87"
E — Height, Clamp Closed	38"	42"
F — Swing Clearance	16"	15"
G — Maximum Rotating Capacity — Pounds	1500	1500
Maximum Lifting Capacity — Pounds	2500	2500
Approximate Shipping Weight — Pounds	485	485

Can be assembled for right or left hand rotation.

Requires one 4-way control valve with minimum pressure setting of 2000 psi.

Starting torque rating at 1500 psi is 14,700 inch pounds.



Right Hand Rotation