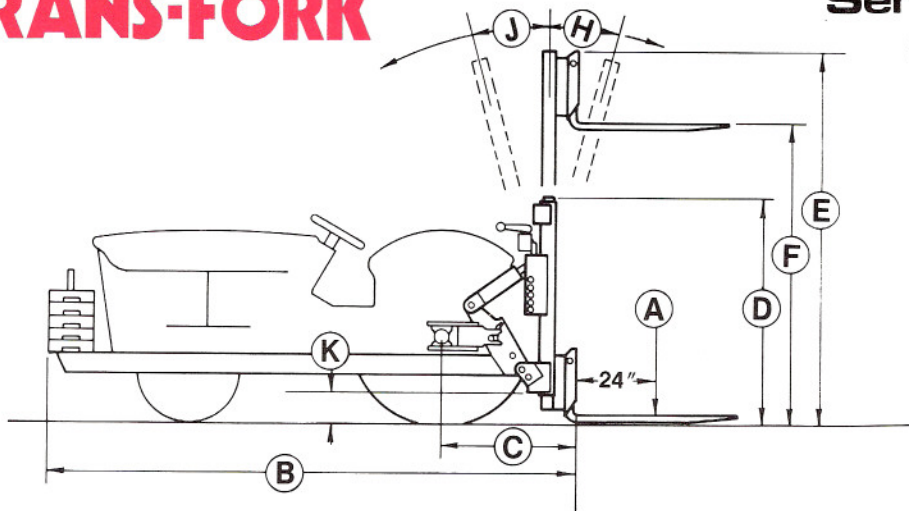


# TRANS-FORK

## Series TF7900 SPECIFICATIONS



MODEL NUMBER	TF7960	TF7972	TF7984	TF7996	TF79108	TF79120	TF79144
A — Lifting Capacity — Pounds at 24 Inches	4000						
B — Overall Length With Sideshift	Tractor Length Plus 25 Inches Tractor Length Plus 28 Inches						
C — Reach Reach with Sideshift	30" to 38" 33" to 41"						*
D — Overall Height Mast Lowered	62"	68"	74"	80"	86"	92"	104"
E — Overall Height Mast Raised	92"	104"	116"	128"	140"	152"	176"
F — Maximum Lifting Height	60"	72"	84"	96"	108"	120"	144"
H — Degrees Tilt Forward	6° to 10°						*
J — Degrees Tilt Rearward	10° to 15°						*
K — Ground Clearance	6 1/2" to 15"						*
Approximate Shipping Weight — Pounds	1117	1164	1213	1263	1312	1360	1477

\* Depending on tractor tire size.

**FORKS:** All forks are made from 1½ x 5 heat treated alloy steel. Standard length is 46 inches. Standard carriage width is 36 inches. Fork spacing is adjustable. Other fork lengths and carriage widths are available on special order.

**MAST TYPE:** Single stage lift.

**COUNTERWEIGHT:** About 2500 pounds should be added to the front of most tractors to effectively counterbalance a 4000 pound load.

**SIDESHIFT (Optional):** Three inches each side of mast center. Weight — 158 pounds.

**HOLDDOWN:** Available as an optional attachment.

**HYDRAULIC SYSTEM REQUIREMENTS:** Can be operated from most tractor hydraulic systems.

Specifications and design subject to change without notice.