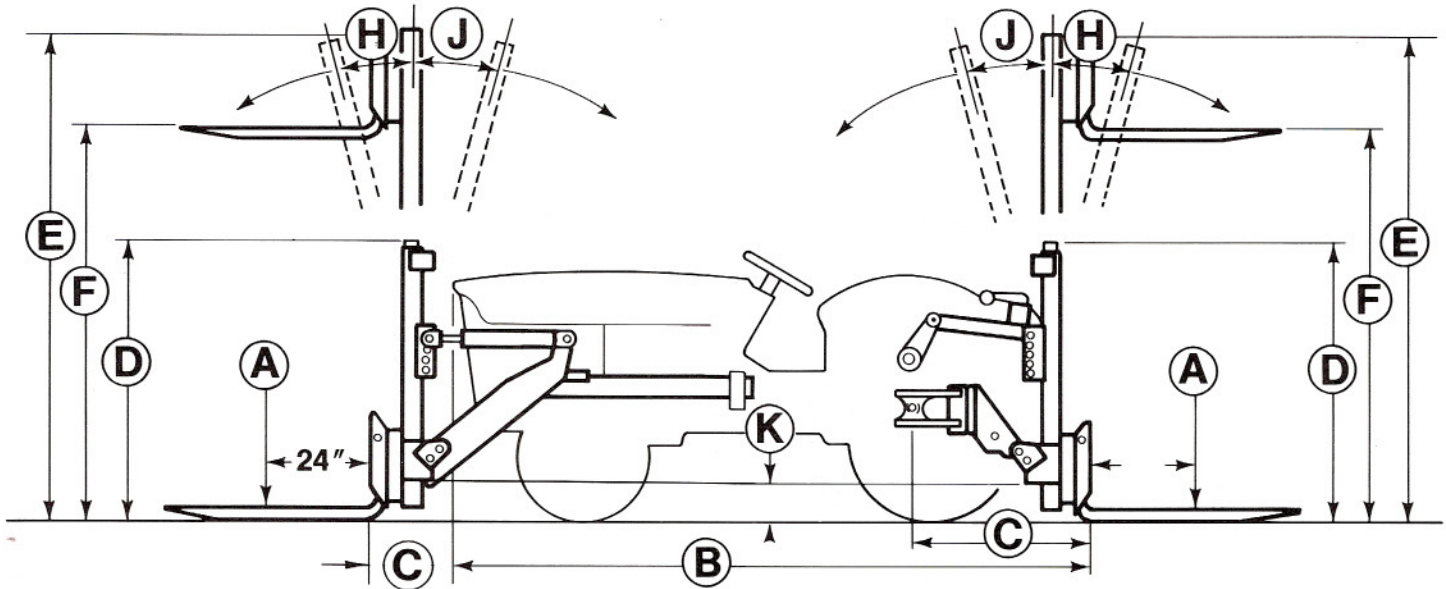


# TRANS-TIER

## Series TT5800 SPECIFICATIONS



**FORKS:** Standard length 46 inches. Other fork lengths available on special order. All forks made from 1 1/4 x 4 heat treated alloy steel.

**MAST TYPE:** Single stage lift.

**COUNTERWEIGHT:** When rear mount is used alone, about 700 pounds should be added to the front of most tractors to effectively counterbalance a 1500 pound load.

**SIDESHIFT (Optional):** Three inches each side of mast center. Weight — 153 pounds.

**HOLDDOWN:** Available as an optional attachment.

MODEL NUMBER	TT5860	TT5872	TT5884	TT5896	TT58108	TT58120*	TT58144*
A — Lifting Capacity — Pounds at 24 Inches	2000						
B — Overall Length with Sideshift	Tractor Length Plus 6 Inches Tractor Length Plus 9 Inches						
C — Rear Mount Reach with Sideshift	29" to 37" 32" to 40"						**
Front Mount Reach with Sideshift	18" 21"						**
D — Overall Height Mast Lowered	54"	60"	66"	72"	78"	84"	96"
E — Overall Height Mast Raised	84"	96"	108"	120"	132"	144"	168"
F — Maximum Lifting Height	60"	72"	84"	96"	108"	120"	144"
H — Degrees Tilt Forward	6° to 14° **						
J — Degrees Tilt Rearward	8°						
K — Ground Clearance	9"						
Approximate Shipping Weight — Pounds	810	840	870	900	930	960	1020

\* To be used with cylinder tilt mounting only.

\*\* Depending on tractor tire size.

**HYDRAULIC SYSTEM REQUIREMENTS:** Adapts to tractors equipped with three point type hitches. The hydraulic system of these tractors is usually adequate.

Specifications and design subject to change without notice.