

EDWARDS

UNIVERSAL LIFTS

Series TT4800 TT4900 TT5000

SPECIFICATIONS

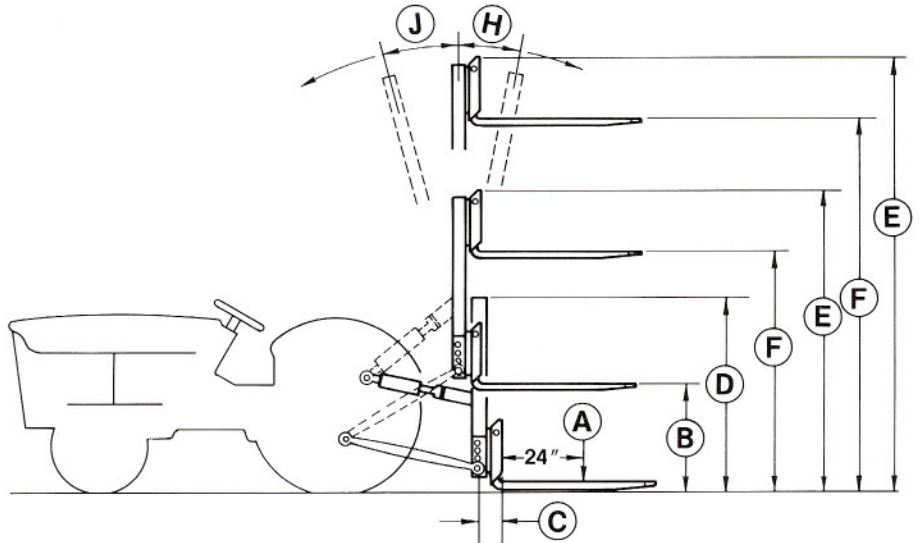
Sealed ball bearings support carriage.

Adjustable hitch-pin positions fit large and small tractors.

Retractable stand holds unit in vertical position for convenient storage and installation.

Hydraulic cylinder toplink permits tilting forks forward and backward.

Adjustable toplink position to fit variety of tractor hitches. Toplink adjustable for short (22") to long (28") toplink tractors.



Anti-friction bearing idler carries heavy chain to support load.

Special rolled channel mast of high carbon steel.

Prop supports toplink cylinder for convenient hookup. Orifices in cylinders assure smooth, safe operation.

Removable fork anchors hold forks down for easy pull-out from loads.

Optional attachments available.

Specifications and design subject to change without notice.

Model No.	TT4800	TT4900	TT5000
A Lift Capacity — Pounds at 24 Inches	2000	2000*	4000
B Three-Point Lift Height*	24"	24"	24"
C Reach Reach with Sideshift	5" 8"	5" 8"	6" 9"
D Overall Height Mast Lowered	64"	61"	65"
E Overall Height Mast Raised	88"	121"	89"
F Maximum Lifting Height	64"	96"	64"
H Degrees Tilt Forward	6° to 10°		
J Degrees Tilt Rearward	9° to 13°		
K Mast Lifting Height (F - B)	40"	72"	40"
Approximate Shipping Weight — Pounds	562	715	869
Three-Point Hitch Category	1 or 2	1 or 2	2 or 3
Mast Type	Non-Telescoping	Telescoping	Non-Telescoping
Forks, Heat Treated Alloy Steel	1¼ x 4 x 46	1¼ x 4 x 46	1½ x 5 x 46
Fork Carriage Width	29"	29"	36"

* Three-point lift range varies with tractor make and model.

COUNTERWEIGHT: Counterweight must be added to the front of the tractor depending on the size of tractor and weight of load to be lifted.

HYDRAULICS: Includes four hoses to be attached to your quick coupling tips.