

# TRANS-FORK

## Series TF6800 2500 lb. Capacity

The Trans-Fork can be installed on the front or rear of the tractor and is made of high quality materials. Sealed ball bearings support the fork carriage. The slide channels are a special section rolled from high carbon steel. Hard chromed rod is used in all cylinders. The Trans-Fork is designed for many years of dependable service.

Max lifting capacity is 2500 pounds at 24 inches. Available in 60, 72, 84, 96, 108, 120 and 144 inch lifting heights.



- Optional attachments:
- Side shift
- Hold down clamps
- Back guard
- Special carriage width upon request
- Reverse Steering
- Overhead guards



**EDWARDS**  
EQUIPMENT COMPANY

4312 Main Street Union Gap WA 98903

509-248-1770 800-452-5151

Fax: 509-248-9721

Web Site: [www.edwards-equip.com](http://www.edwards-equip.com)

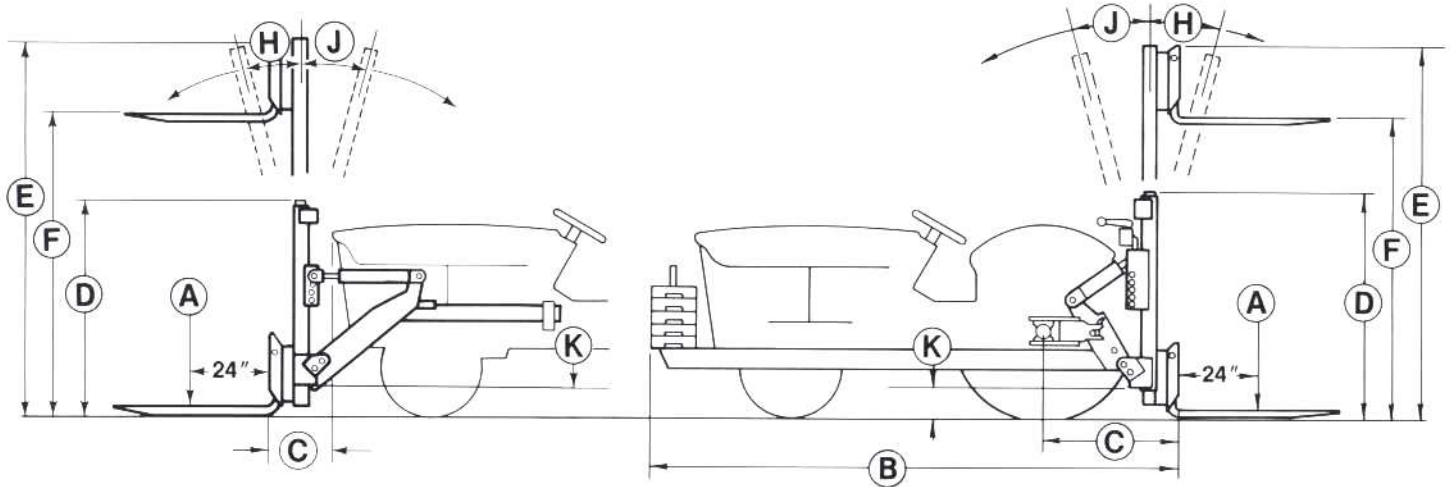
E-mail: [sales@edwards-equip.com](mailto:sales@edwards-equip.com)

# EDWARDS

## TRANS-FORK

### Series TF6800

### SPECIFICATIONS



**FORKS:** Forks are made from 1¼ x 4 heat treated alloy steel. Standard length is 46". Standard carriage width is 29 inches. Fork spacing is adjustable. Other fork lengths and carriage widths are available on special order.

**MAST TYPE:** Single stage lift.

**COUNTERWEIGHT:** About 1100 pounds should be added to the front of most tractors to effectively counterbalance a 2500 pound load.

**SIDESHIFT (Optional):** Three inches each side of mast center. Weight — 153 pounds.

**HOLDDOWN:** Available as an optional attachment.

MODEL NUMBER	TF6860	TF6872	TF6884	TF6896	TF68108	TF68120	TF68144
A — Lifting Capacity — Pounds at 24 Inches	2500						
B — Overall Length with Sideshift	Tractor Length Plus 18 Inches Tractor Length Plus 21 Inches						
C — Rear Mount Reach with Sideshift	29" to 37" • 32" to 40" •						
Front Mount Reach with Sideshift	18" • 21" •						
D — Overall Height Mast Lowered	52"	58"	64"	70"	76"	82"	94"
E — Overall Height Mast Raised	82"	94"	106"	118"	130"	142"	166"
F — Maximum Lifting Height	60"	72"	84"	96"	108"	120"	144"
H — Degrees Tilt Forward	6° to 10° •						
J — Degrees Tilt Rearward	10° to 15° •						
K — Ground Clearance	6½" to 15"						
Approximate Shipping Weight — Pounds	1132	1159	1186	1213	1240	1267	1321

\* Depending on tractor tire size.

**HYDRAULIC SYSTEM REQUIREMENTS:** Can be operated from most tractor hydraulic systems.

Specifications and design subject to change without notice.