

# FRONT MOUNT 3-POINT HITCH

## Series DH8300

Imagine a product that will cut some operations in half! Half the man power and tractor hours. Imagine no further check out the Edwards Front Mounted 3-Point Hitch



The new Edwards front mount 3-point hitch enables you to mount many of your 3-point implements on the front of your tractor.

Front mounting offers several advantages including the use of front and rear implements at the same time. That reduces the number of passes over the same ground plus it saves fuel and reduces man and tractor hours.

The front mount 3-point hitch mounts easily and quickly to the tractor and works with many 3-point implements.

#### Suggested uses:

- Front mount transporter forks for carrying up to 1500 pounds on a pallet or in a bin.
- Combine with an "A" frame tool bar for front cultivator combinations.
- Front mount Dyna-Trim mower for mowing around trees and posts.
- Front mount Brush Spider for cleaning out leaves and brush from between plants and trees.
- Front mount spray booms for spraying the tree rows.



4312 Main Street Union Gap WA 98903

509-248-1770 800-452-5151

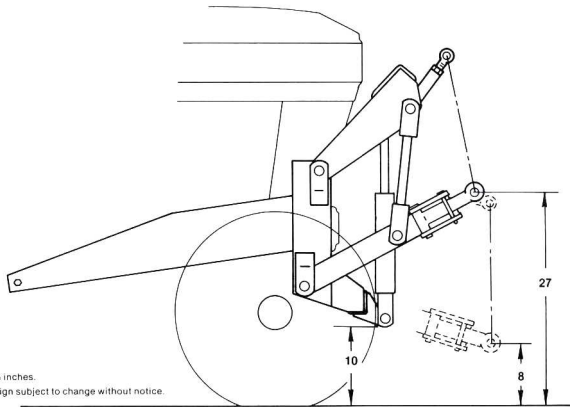
Fax: 509-248-9721

Web Site: [www.edwards-equip.com](http://www.edwards-equip.com)

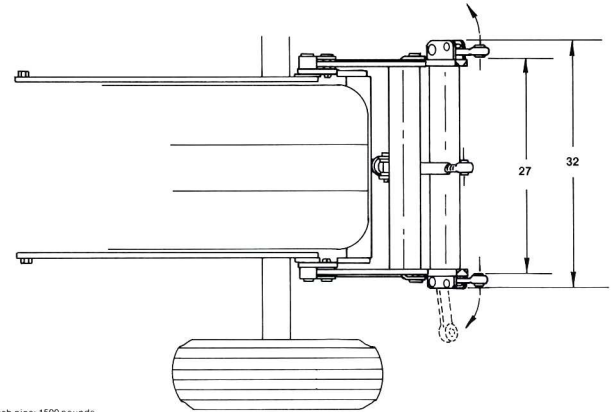
E-mail: [sales@edwards-equip.com](mailto:sales@edwards-equip.com)

# 3-POINT HITCH

## Series DH8300 SPECIFICATIONS



All dimensions given in inches.  
Specifications and design subject to change without notice.



Lift capacity at hitch pins: 1500 pounds

Some of the implements that we have put on the Edwards Front Mount 3-Point Hitch.



TRANS-PORTER FORK



DOUBLE DYNA-TRIM MOWERS



SINGLE DYNA-TRIM MOWER



DOUBLE BRUSH SPIDER VINEYARD



FRONT MOUNT 3-POINT HITCH



SINGLE ORCHARD BRUSH SPIDER



6 FOOT BLADE ATTACHMENT



BRUSH RAKE



SPRAY BOOMS

Other time saving attachment used with the Edwards Front Mount 3-Point Hitch  
Cultivator, Hydraulic Aerator, Vine Pruner, Mowers, Buckets, Rock Rakes, Hay Spears,  
and many more.